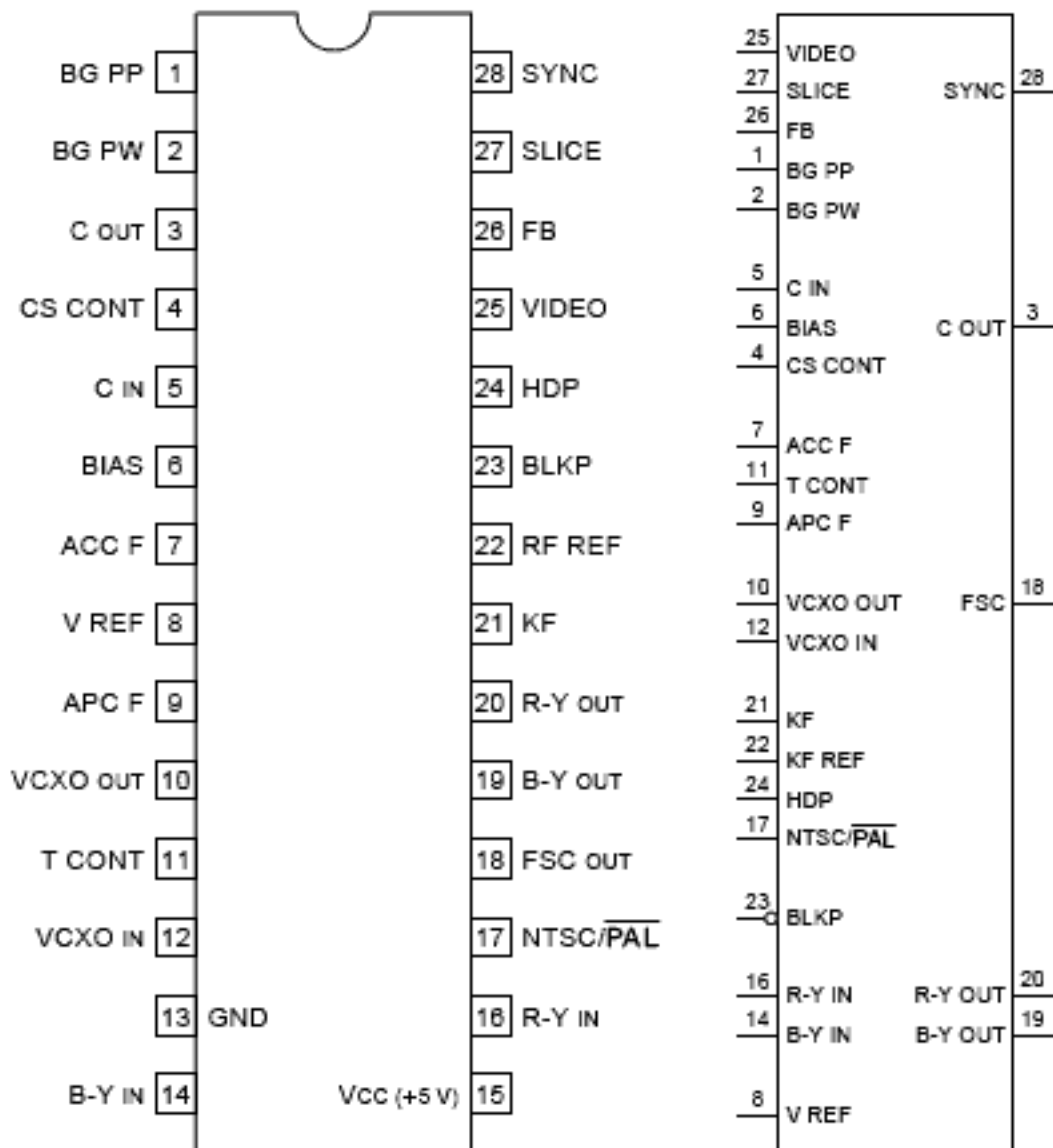


NTSC/PAL CHROMA DECODER

—TOP VIEW—



INPUT

ACC F : AUTOMATIC COLOR CONTROL FILTER
APC F : AUTOMATIC PHASE CONTROL FILTER
BG PP : BURST GATE PULSE POSITION
BG PW : BURST GATE PULSE WIDTH
BIAS : CHROMA INPUT BIAS CAPACITY
BLKP : BLANKING PULSE
B-Y : B-Y SIGNAL
C : CHROMA SIGNAL
CS CONT : COLOR SATURATION CONTROL
HDP : HORIZONTAL DRIVE PULSE
KF : KILLER FILTER CAPACITY
KF REF : KILLER REFERENCE FILTER CAPACITY
NTSC/PAL : PROCESS SELECT
R-Y : R-Y SIGNAL
SLICE : SLICE LEVEL INPUT OF SYNC SEPARATION
T CONT : TINT CONTROL
VCXO : VARIABLE CAPACITOR AND CRYSTAL OSCILLATOR
VIDEO : VIDEO INPUT FOR SYNC SEPARATION
V REF : REFERENCE VOLTAGE

OUTPUT

B-Y : B-Y SIGNAL
C : CHROMA SIGNAL
FB : FEEDBACK CAPACITY OF SYNC SEPARATION
FSC : SUB-CARRIER (180 DEGREES)
R-Y : R-Y SIGNAL
SYNC : SEPARATION SYNC SIGNAL
VCXO : VARIABLE CAPACITOR AND CRYSTAL OSCILLATOR

